

- exhibition systems
- interior design systems
- presentation systems
- cleanroom systems
- software and service

OCTAWALL MOBIL

A mobile wall with magnetic attraction

THE
WORLD
OF
SYSTEMS

OCTANORM 

IF WALLS COULD SPEAK - THEY WOULD RECOMMEND OCTAWALL MOBIL!

The reason: the new OCTAwall mobil system provides outrageously efficient wall constructions. A perfect solution for every room and every need - either as a partition or free standing single wall. The design: individually customizable, simple and aesthetically pleasing. The function: frames are split, cutting down considerably on transport and storage volumes. The flexibility can be increased by combining OCTAwall mobil with the OCTANORM magnetic system to create unique presentations of goods and products.





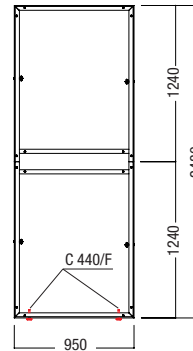
OCTAWALL**40** FABRIC

FRAME FOR FABRIC INFILLS,
SPLIT

aluminium
1 frame, split in center for transportation
**with 2 x mounted adjustable
foot C 440/F**
incl. 2 x beam Z 308, 870 mm with
2 built-in tension locks Z 961/13 and
4 x fixing set M 1477
bottom beam drilled for subsequent
mounting of base plates
M 1951, M 1953, M 1961
(to be ordered separately)
cut outs for cables possible on request
17.813 lbs

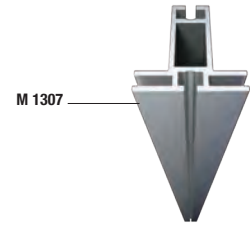


FRAME FOR
SINGLE GRAPHIC



W 932

W 932.01

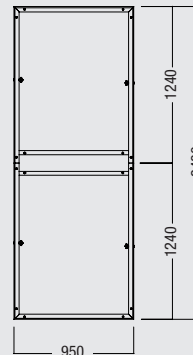


FRAME FOR FABRIC INFILLS,
SPLIT

aluminium
1 frame, split in centre for transportation
**without 2 x mounted adjustable
foot C 440/F**
incl. 2 x beam Z 308, 870 mm with
2 built-in tension locks Z 961/13 and
4 x fixing set M 1477
bottom beam drilled for subsequent
mounting of base plates
M 1951, M 1953, M 1961
(to be ordered separately)
cut outs for cables possible on request
17.394 lbs

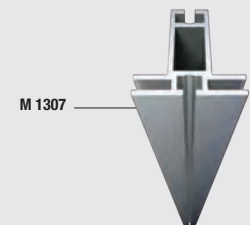


FRAME FOR
SINGLE GRAPHIC



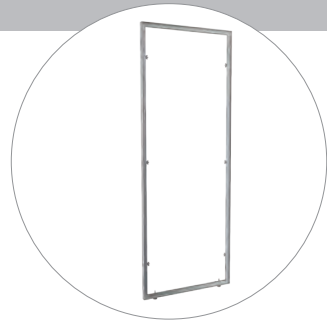
W 930

W 930.01

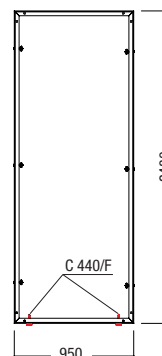


FRAME FOR FABRIC INFILLS,
ONE PIECE

aluminium
1 frame,
**not split in center for transportation
with 2 x mounted adjustable
foot C 440/F**
incl. 6 x fixing set M 1477
bottom beam drilled for subsequent
mounting of base plates
M 1951, M 1953, M 1961
(to be ordered separately)
cut outs for cables possible on request
15.168 lbs

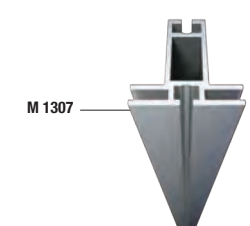


FRAME FOR
SINGLE GRAPHIC



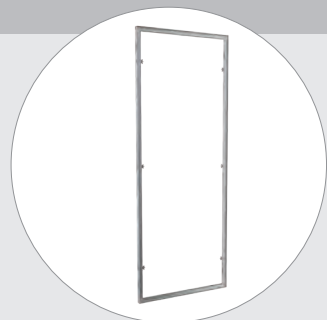
W 934

W 934.01



FRAME FOR FABRIC INFILLS,
ONE PIECE

aluminium
1 frame,
**not split in center for transportation
without 2 x mounted adjustable
foot C 440/F**
incl. 6 x fixing set M 1477
bottom beam drilled for subsequent
mounting of base plates
M 1951, M 1953, M 1961
(to be ordered separately)
cut outs for cables possible on request
14.749 lbs

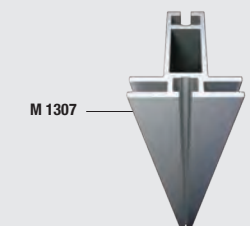


FRAME FOR
SINGLE GRAPHIC



W 936

W 936.01



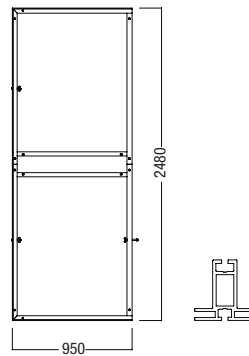
OCTAWALL **40** FABRIC

FRAME FOR FABRIC INFILLS,
OUTSIDE, SPLIT

aluminium
1 frame for seamless graphic,
 split in center for transportation,
 incl. 2 x fixing set M 1477
 and 1 x fixing set M 1496
 and 2 x built-in-tension lock Z 961/13
Note: to be used as outer frame
 in connection with frame W 937/TB
 16.314 lbs



FRAME FOR
SEAMLESS GRAPHIC



W 938/TB

W 938/TB.01

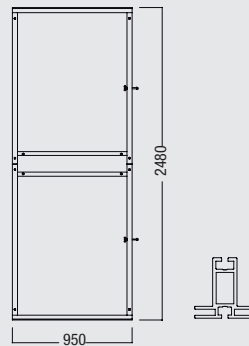


FRAME FOR FABRIC INFILLS,
INSIDE, SPLIT

aluminium
1 frame for seamless graphic,
 split in center for transportation,
 incl. 2 x fixing set M 1496
 and 4 x built-in-tension lock Z 961/13
Note: to be used as inner frame
 in connection with frame W 938/TB
 14.595 lbs



FRAME FOR
SEAMLESS GRAPHIC



W 937/TB

W 937/TB.01

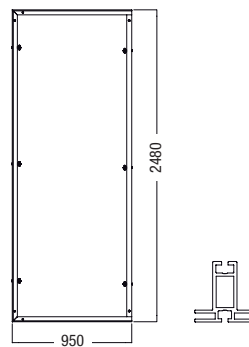


FRAME FOR FABRIC INFILLS,
OUTSIDE, ONE PIECE

aluminium
1 frame for seamless graphic,
 not split in center for transportation,
 incl. 3 x fixing set M 1477
 and 2 x built-in-tension lock Z 961/13
Note: to be used as outer frame
 in connection with frame W 937
 Technical information see page 17
 12.238 lbs

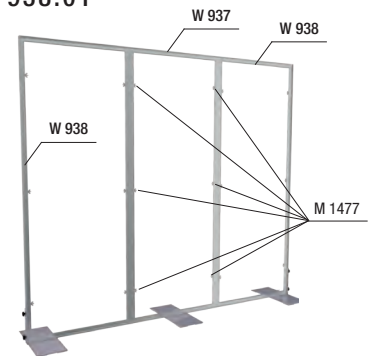


FRAME FOR
SEAMLESS GRAPHIC



W 938

W 938.01

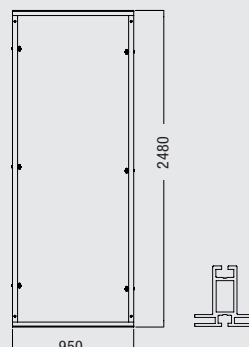


FRAME FOR FABRIC INFILL,
INSIDE, ONE PIECE

aluminium
1 frame for seamless graphic,
 not split in center for transportation,
 incl. 6 x fixing set M 1477
 and 4 x built-in-tension lock Z 961/13
Note: to be used as inner frame
 in connection with frame W 938
 Technical information see page 17
 12.147 lbs

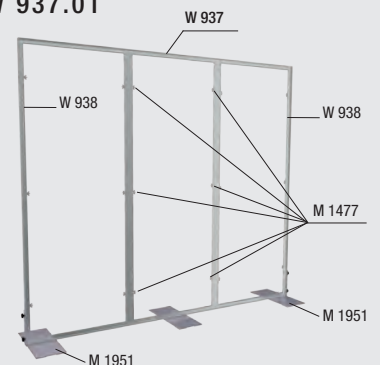


FRAME FOR
SEAMLESS GRAPHIC



W 937

W 937.01

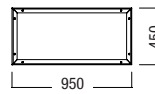


OCTAWALL MOBIL

OCTAWALL **40** FABRIC

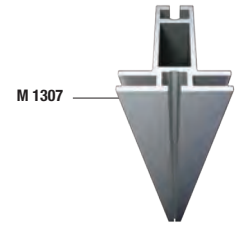
FRAME FOR FABRIC INFILLS,
950 MM

aluminium
1 frame,
incl. 2 x fixing set M 1477
for mounting above door frame
W 580/Z or door split W 979/R,
W 979/L (W 580/Z, W 979/R and
W 979/L are not included)
cut outs for cables possible on request
6.107 lbs



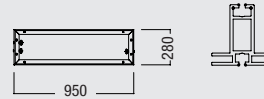
W 945/S

W 945/S.01



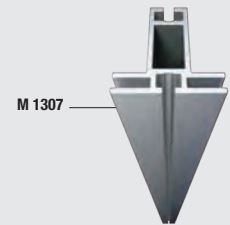
FRAME FOR FABRIC INFILL

aluminium
1 frame
to be used as flat truss beam
at the front of the booth
3 x fixing set M 1477
5.071 lbs



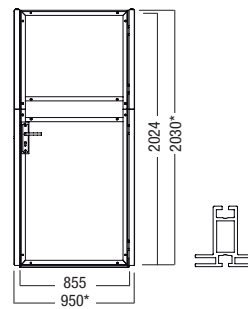
W 935

W 935.01



DOOR FOR FABRIC INFILL,
DIN RIGHT, SPLIT

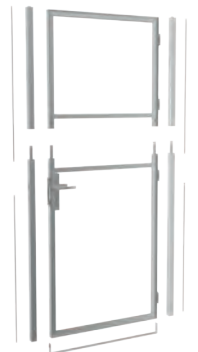
aluminium
1 frame, split for transportation,
for installation right side
incl. 1 x upright on „hinge side“,
1 x upright on „lock side“,
1 x mortise lock and door handle set,
1 x threshold plate
door frame size: B 855 x H 2024 mm
31.967 lbs



* assembly dimension

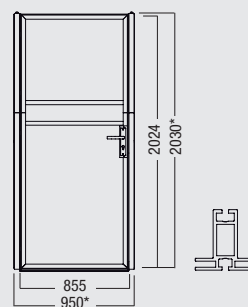
W 979/R

W 979/R.01



DOOR FOR FABRIC INFILL,
DIN LEFT, SPLIT

aluminium
1 frame, split for transportation,
for installation left side
incl. 1 x upright on „hinge side“,
1 x upright on „lock side“,
1 x mortise lock and door handle set,
1 x threshold plate
door frame size: B 855 x H 2024 mm
31.967 lbs



* assembly dimension

W 979/L

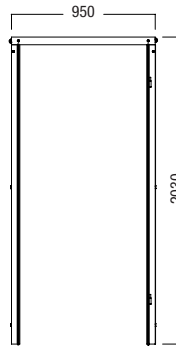
W 979/L.01



OCTAWALL **40** FABRIC

UNIVERSAL DOOR FRAME

aluminium
DIN right,
convertible for door stop DIN left
usable in connection to W 580/T
and W 581/T
incl. threshold seal W 585
for door frame size:
950 mm x 2030
10.293 lbs

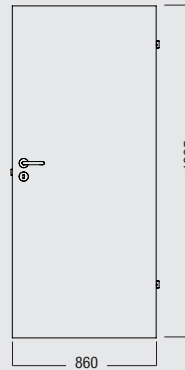


W 580/Z

W580/Z.01

DOOR LEAF DIN RIGHT

wood,
painted, white RAL 9010
incl. 1 x door handle set W 582
and 1 x skeleton key lock,
usable in combination with W 580/Z
can also be fitted with mortise lock
W 513/R and door handle set W
584PZ
(to be ordered separately)
33.748 lbs

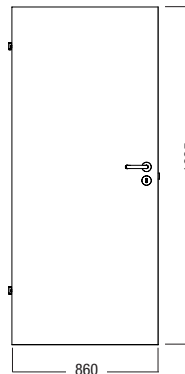


W 580

W 580.30

DOOR LEAF DIN LEFT

wood,
painted, white RAL 9010
incl. 1 x door handle set W 582
and 1 x skeleton key lock,
usable in combination with W 580/Z
can also be fitted with mortise lock
W 513/R and door handle set W 584PZ
(to be ordered separately)
33.748 lbs

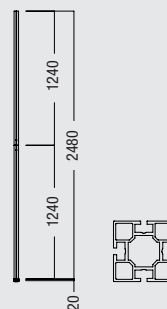


W 581

W 581.30

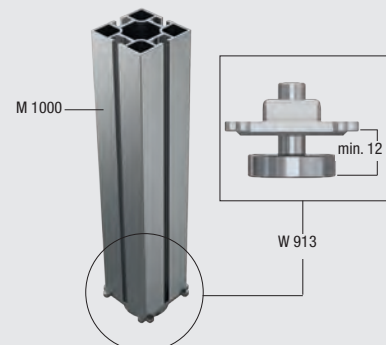
CORNER UPRIGHT, SPLIT

aluminium
consisting of:
2 x extrusion M 1000,
1 x straight connector Z 978,
1 x adjustable foot W 913
for frame W 930 and W 932
2500 mm long
7.275 lbs



W 992

W 992.01

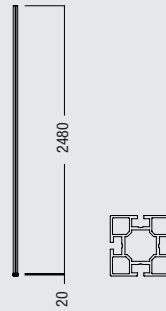
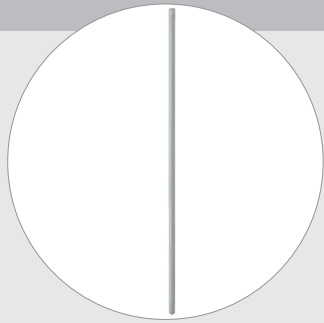


OCTAWALL MOBIL

OCTAWALL40 FABRIC

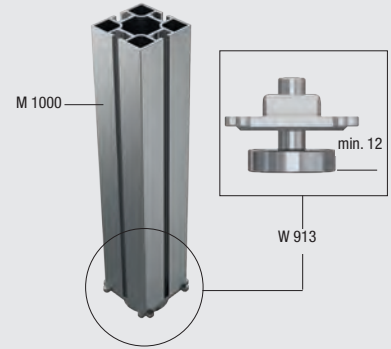
CORNER UPRIGHT, ONE PIECE

aluminium
 consisting of:
 1 x extrusion M 1000,
 1 x adjustable foot W 913
 for frame W 934, W 936 and W 938
 2500 mm long
 7.055 lbs



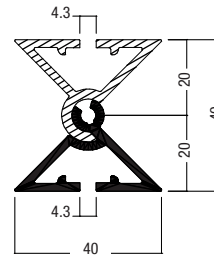
W 990

W 990.01



HINGE EXTRUSION

aluminium
 two-piece
 Adjustable angle:
 min. 90°, max. 180°
 5000 mm long
 12.350 lbs



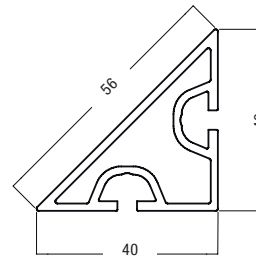
W 908

W 908.01



TRIANGULAR EXTRUSION

aluminium
Note: can also be mounted
 horizontally for wall bracing
 6000 mm long
 10.688 lbs



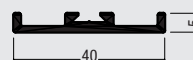
M 1072

M 1072.01



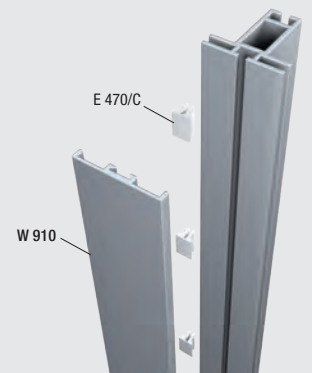
COVER EXTRUSION

aluminium
 for OCTAwall 40 frames
 fabric and panel,
 to cover the visible lateral edges,
 incl. 10 x plastic clip E 470/C,
 (2 pcs/m recommended)
 5000 mm long
 2.976 lbs



W 910

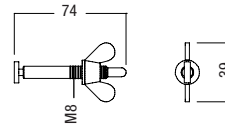
W 910.01



OCTAWALL **40** FABRIC

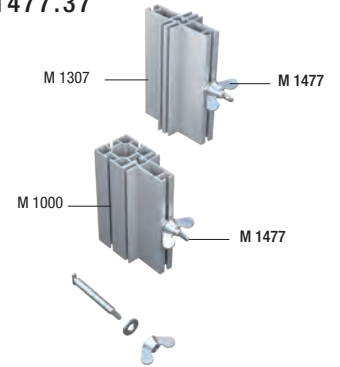
FIXING SET

steel
for connecting frames
W 930, W 932, W 934, W 935, W 936,
W 937, W 938, W 942, W 945/S
0.077 lbs



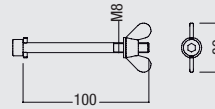
M 1477

M 1477.37



FIXING SET

steel
for connection of frame
W 937/TB with W 938/TB
0.145 lbs

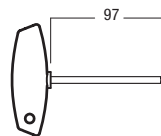


M 1496

M 1496.37

SCREW DRIVER

plastic / steel
hexalobular internal driving
feature T30
0.163 lbs

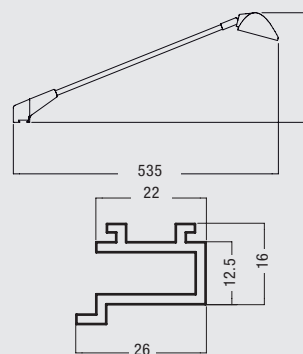


M 951

M 951.90

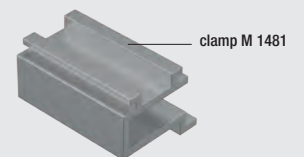
LED-LONG-ARM SPOTLIGHT

aluminium, die-cast-body, silver grey
12 W / 230 V, 4000 K,
incl. 1 x clamp M 1481,
connecting cable with lat plug,
3000 mm long,
integrated transformer
and safety glass
for mounting to 4.3 mm system groove
1.354 lbs



M 1498

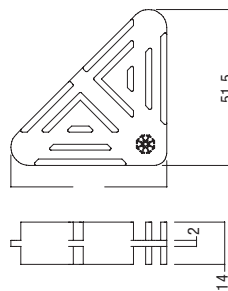
M 1498.31



OCTAWALL **40** FABRIC

DISTANCE PIECE

plastic, red
to fix frames during packing,
storage and transportation
fits all OCTAwall frame systems
0.026 lbs



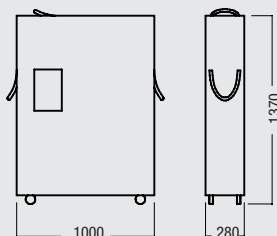
W 1000

W 1000.90



TRANSPORT BAG

nylon, blue
with 4 castors and
inside compartments
for 3 frames W 930 or W 932
and 4 corner uprights W 992
15.873 lbs



W 925

W 925.90

TRANSPORT BAG

nylon, blue
with inside compartments
for 2 base plates M 1951,
M 1953 or M 1961
4.850 lbs



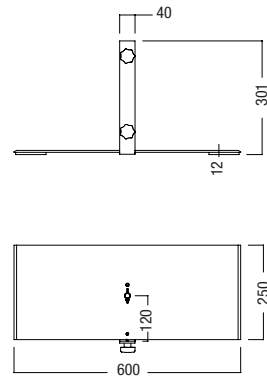
W 927

W 927.90

OCTAWALL **40** FABRIC

BASE PLATE 600 X 250 MM, SIDE

steel
for free standing OCTAWall 40 frames made from extrusions M 1307 for side mounting and additional connecting to bottom beam incl. mounting parts M 1951 BS (M8) max. frame height = 2500 mm 16.233 lbs

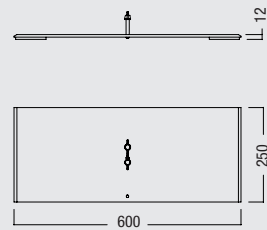


M 1951

M 1951.21

BASE PLATE 600 X 250 MM, CENTER

steel
for free standing OCTAWall 40 frames made from extrusions M 1307 and M 1308 additional center base plate for connecting to bottom beam incl. mounting parts M 1953 BS (M8) max. frame height = 2500 mm 14.573 lbs

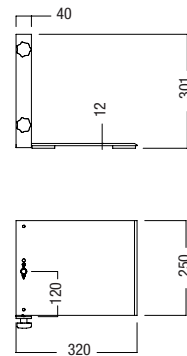


M 1953

M 1953.21

HALF BASE PLATE 320 X 250 MM, SIDE

steel
for free standing OCTAWall 40 frames made from extrusion M 1307 for side mounting and additional connecting to bottom beam incl. mounting parts M 1951 BS (M8), off set for mounting close to walls and can be used on left or right side max. frame height = 2500 mm 11.713 lbs

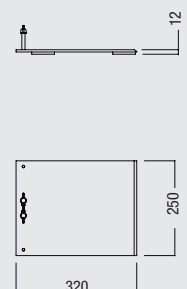


M 1961

M 1961.21

HALF BASE PLATE 320 X 250 MM, CENTER

steel
for free standing OCTAWall 40 frames made from extrusion M 1307 additional center base connecting to bottom beam incl. mounting parts M 1951 BS (M8), off set for mounting close to walls max. frame height = 2500 mm 10.053 lbs



M 1963

M 1963.21



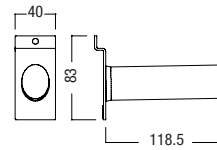
OCTAWALL MOBIL

OCTAWALL40 FABRIC

TOOL



steel, rubber
for easy mounting and demounting
of wall retainer MF 4, MF 12
and MF 15
0.463 lbs



MF 1

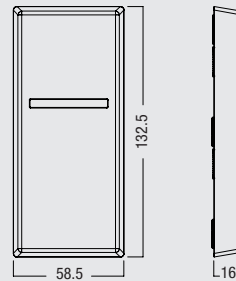
MF 1.90



MAGNETIC WALL RETAINER



plastic, slate grey RAL 7015
with slot for hook system,
supplied with magnets in the back,
for quick positioning to steel panels
hidden by the fabric infills on the
frames, # of round magnets and
non slip guarantee shown in the
chart to the right
Note: Only hook systems with a
max. projection of 200 mm are
permitted (except MF 233 S)
0.478 lbs



MF 15

MF 15.90

round magnets	15
max. distribution load	11 lbs
weight	0.518 lbs

MF 12

MF 12.90

round magnets	12
max. distribution load	6.614 lbs
weight	0.441 lbs

MF 4

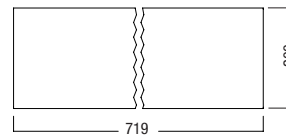
MF 4.90

round magnets	4
max. distribution load	1.102 lbs
weight	0.271 lbs

STEEL PANEL



steel, 2 mm thick
for mounting to frames
using Z 308 (32 x 16 mm)
719 mm long
6.224 lbs



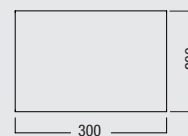
MF 82

MF 82.37

STEEL PANEL



steel, 2 mm thick
for mounting to frames
using Z 308 (32 x 16 mm)
300 mm long
2.606 lbs



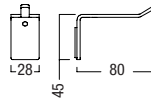
MF 80

MF 80.37

OCTAWALL **40** FABRIC

MAGNETIC SINGLE HOOK

steel, chrome-plated
with 2 rectangle magnets on the back
for quick positioning on wall elements
with fabric covered steel panels
non-slip guarantee for max. 0.661 lbs
distributed load
projection 80 mm
0.110 lbs



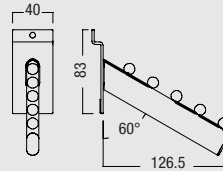
MF 21

MF 21.41



FACEOUT / SLOPED

steel, chrome-plated
for hooking into wall retainer
MF 12 and MF 15
with 5 balls,
projection 200 mm
0.419 lbs



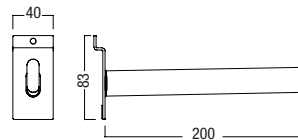
MF 202 S

MF 202 S.41



FACEOUT / STRAIGHT

steel, chrome-plated
for hooking into wall retainer
MF 12 and MF 15
projection 200 mm
0.485 lbs



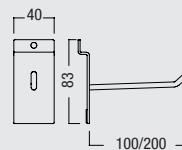
MF 204 S

MF 204 S.41



SINGLE HOOK

steel, chrome-plated
for hooking into wall retainer
MF 4, MF 12 and MF 15
Note: into MF 4 only MF 207 S
can be mounted,
projection 100 mm (MF 207 S)
0.198 lbs
projection 200 mm (MF 209 S)
0.287 lbs



MF 207 S
MF 209 S

MF 207 S.41
MF 209 S.41

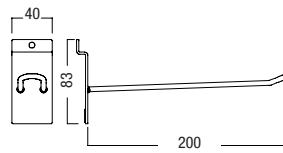


OCTAWALL MOBIL

OCTAWALL₄₀ FABRIC

LOOPED HOOK

steel, chrome-plated
for hooking into wall retainer
MF 12 and MF 15
projection 200 mm
0.278 lbs



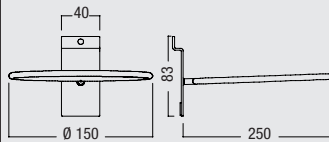
MF 226 S

MF 226 S.41



DISPLAY RING

steel, chrome-plated
for hooking into wall retainer
MF 12 and MF 15
projection 250 mm
0.419 lbs

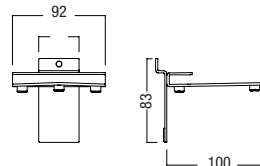


MF 233 S

MF 233 S.41

BRACKET / STRAIGHT

steel, chrome-plated
for hooking into wall retainer
MF 12 and MF 15
for 8 mm acrylic glass shelf and
wood shelf (incl. anti slipping
device MF 306 S11)
for a maximum projection of 200 mm
0.485 lbs



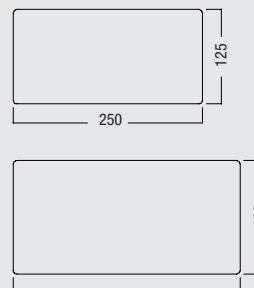
MF 306 S

MF 306 S.41



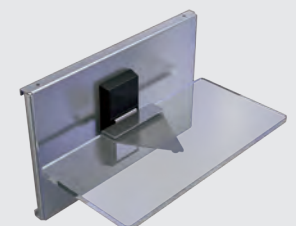
ACRYLIC GLASS SHELF

acrylic, clear, 8 mm
for bracket MF 306 S
size: 125 x 250 mm (MF 125 G)
0.661 lbs
size: 150 x 300 mm (MF 150 G)
0.926 lbs



MF 125 G
MF 150 G

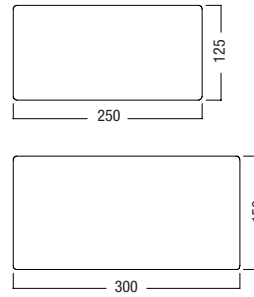
MF 125 G.51
MF 150 G.51



OCTAWALL **40** FABRIC

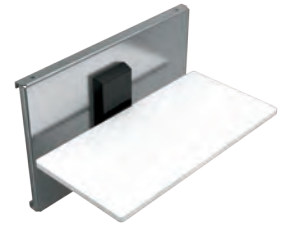
WOOD SHELF

wood, white, 8 mm
for bracket MF 306 S
size: 125 x 250 mm (MF 125 P)
0.511 lbs
size: 150 x 300 mm (MF 150 P)
0.739 lbs



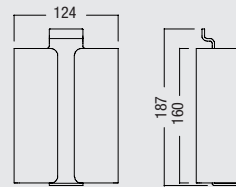
MF 125 P
MF 150 P

MF 125 P.30
MF 150 P.30



LITERATURE HOLDER

acrylic, transparent
for hooking into wall retainer
MF 4, MF 12 and MF 15
DIN long
0.465 lbs



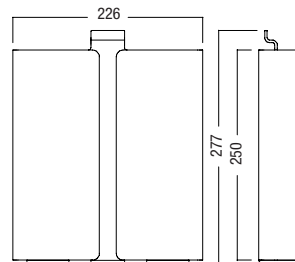
MF 60

MF 60.51



LITERATURE HOLDER

acrylic, transparent
for hooking into wall retainer
MF 4, MF 12 and MF 15
DIN A4
1.164 lbs

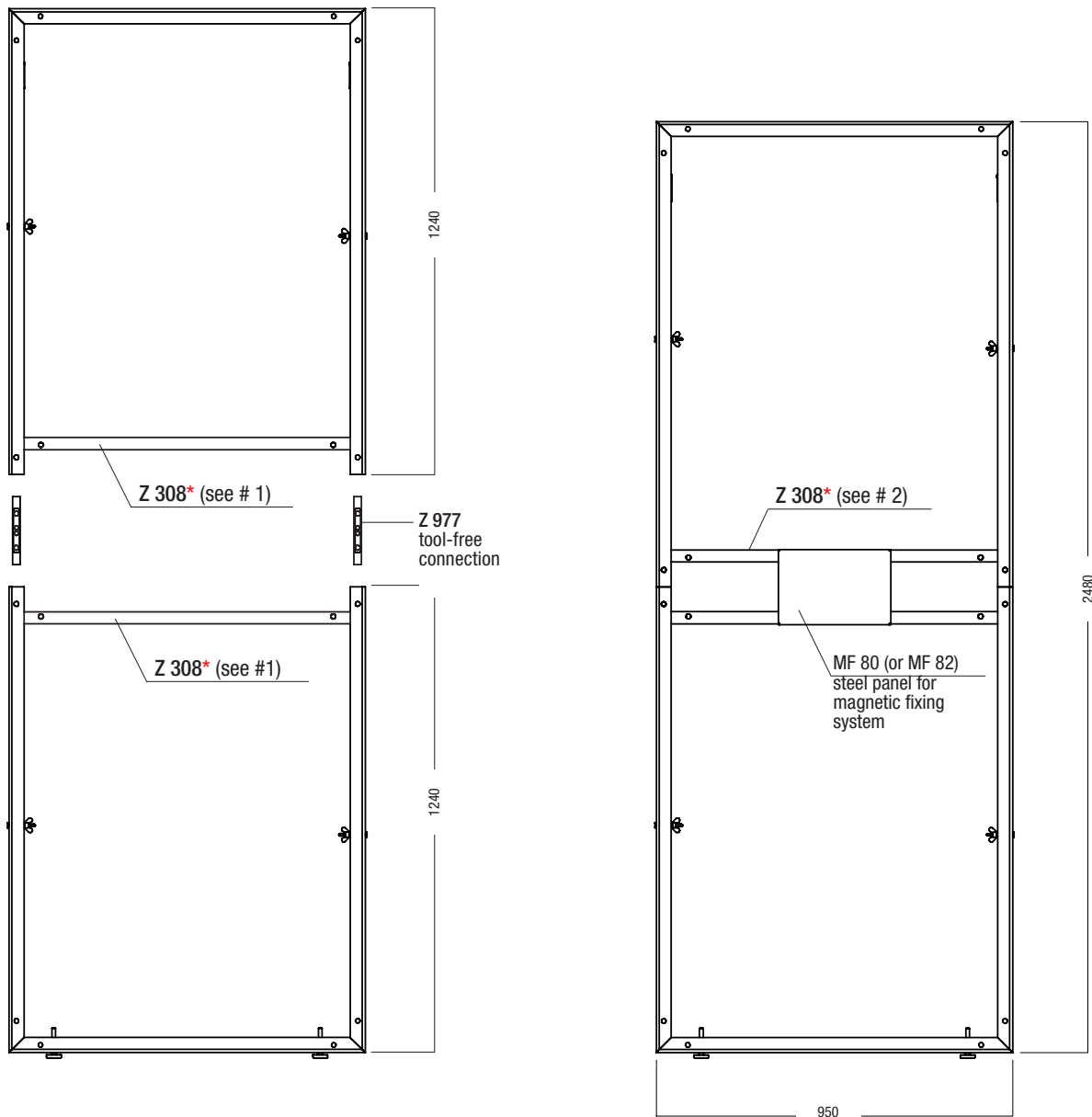


MF 64

MF 64.51



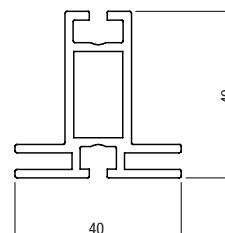
**SPLIT FRAME W 932, 950 X 2480 MM
FOR HOLDING STEEL PANELS OF THE MAGNETIC FIXING SYSTEM**



***DOUBLE FUNCTION OF BEAM Z 308:**

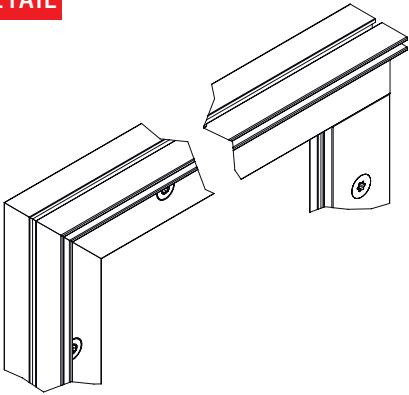
1. transport securing device for split frames
2. for holding steel panel MF 80 (or MF 82) of the OCTANORM magnetic fixing system

Extrusion M 1307



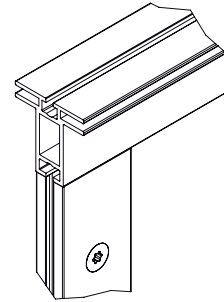
TECHNICAL INFORMATION: FRAMES FOR SEAMLESS GRAPHIC

DETAIL

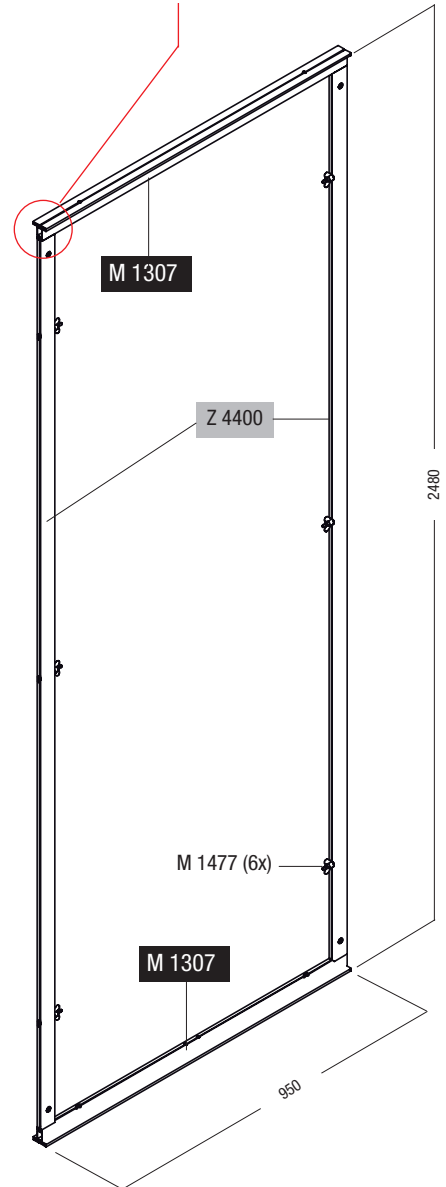
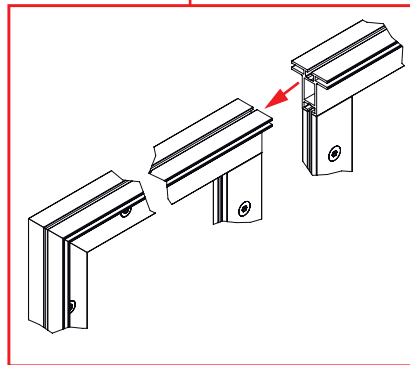
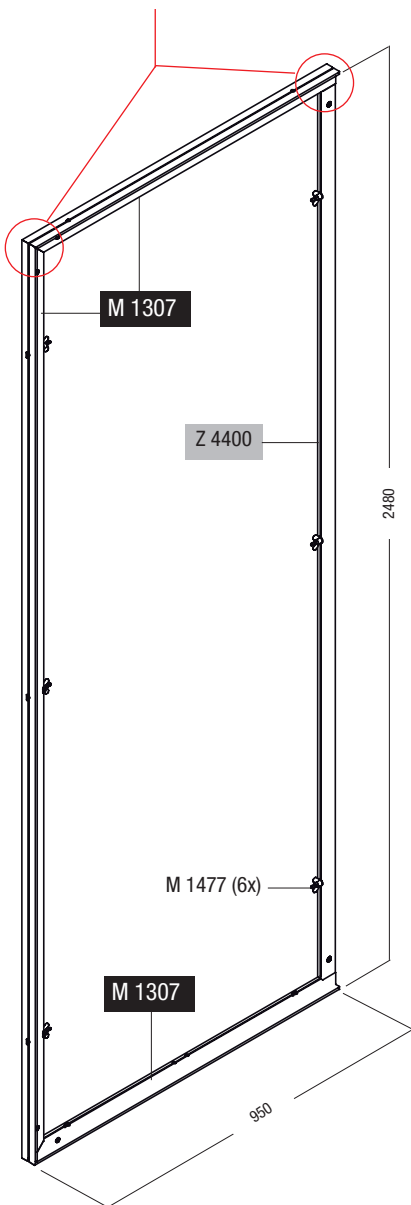


FRAME OUTSIDE W 938

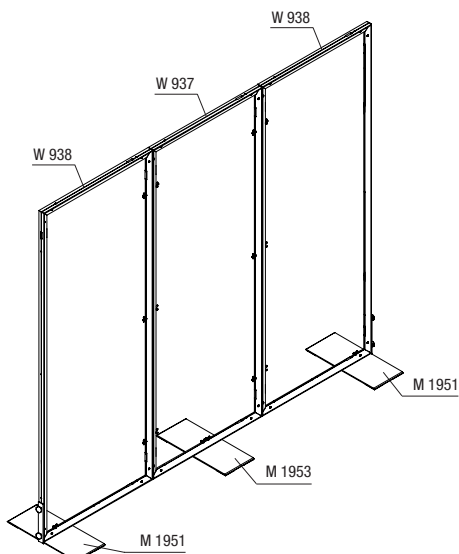
DETAIL



FRAME INSIDE W 937

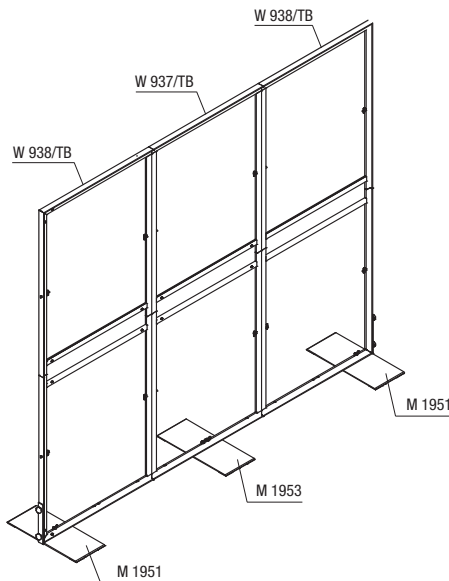


1 VERSION WITH ONE PIECE ELEMENTS

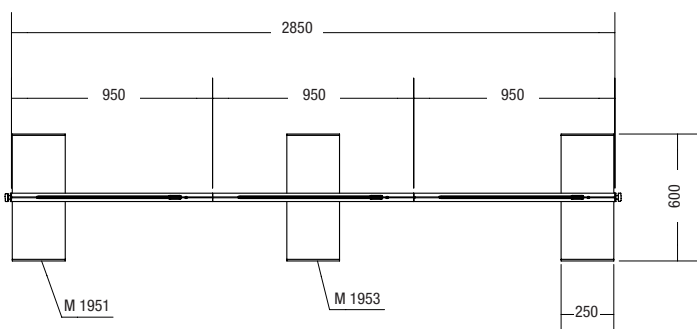


FRAME DIMENSION = FABRIC DIMENSION

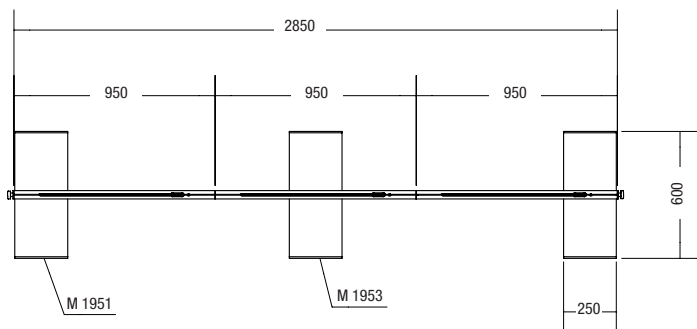
2 VERSION WITH SPLIT ELEMENTS



1



QUANTITY	ITEM N°	DESCRIPTION
2	W 938	frame outside, 950 x 2480 mm
1	W 937	frame inside, 950 x 2480 mm
2	M 1951	base plate, 250 x 600 mm
1	M 1953	base plate, 250 x 600 mm



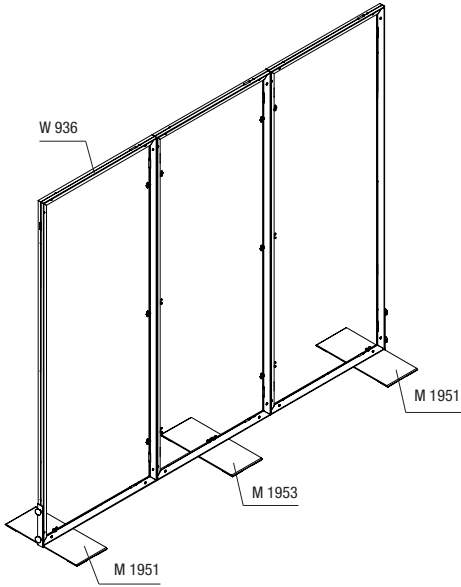
QUANTITY	ITEM N°	DESCRIPTION
2	W 938/TB	frame outside, 950 x 2480 mm
1	W 937/TB	frame inside, 950 x 2480 mm
2	M 1951	base plate, 250 x 600 mm
1	M 1953	base plate, 250 x 600 mm

FREESTANDING WALL

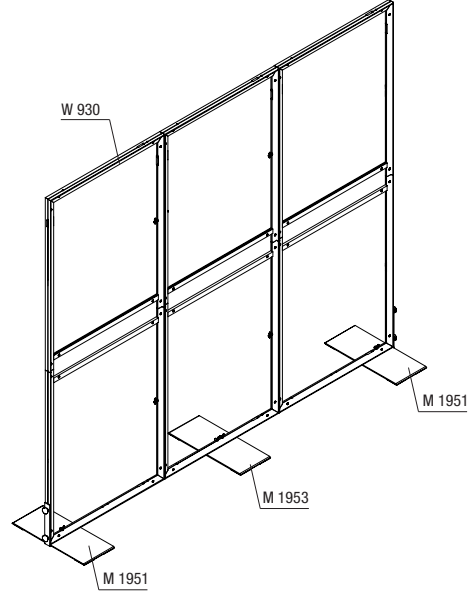


OCTANORM 

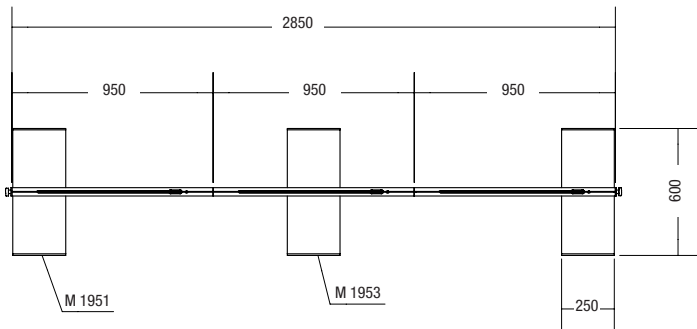
1 VERSION WITH ONE PIECE ELEMENTS



2 VERSION WITH SPLIT ELEMENTS

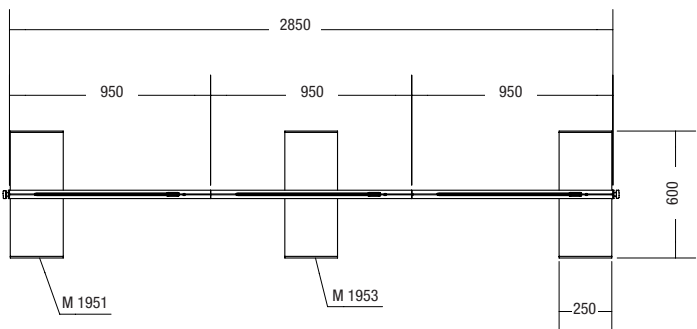


1



QUANTITY	ITEM N°	DESCRIPTION
3	W 936	frame, 950 x 2480 mm
2	M 1951	base plate, 250 x 600 mm
1	M 1953	base plate, 250 x 600 mm

2

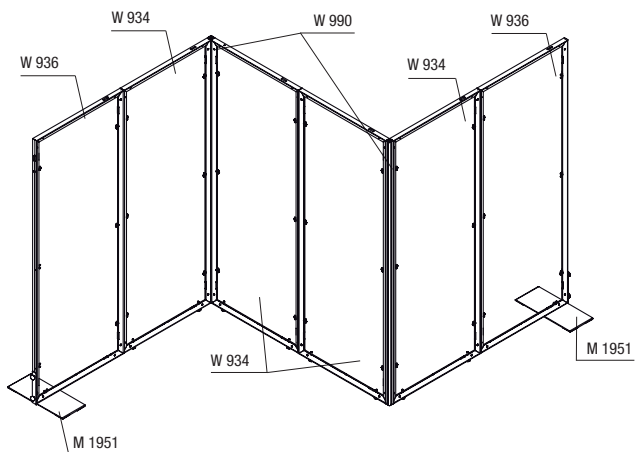


QUANTITY	ITEM N°	DESCRIPTION
3	W 930	split frame, 950 x 2480 mm
2	M 1951	base plate, 250 x 600 mm
1	M 1953	base plate, 250 x 600 mm

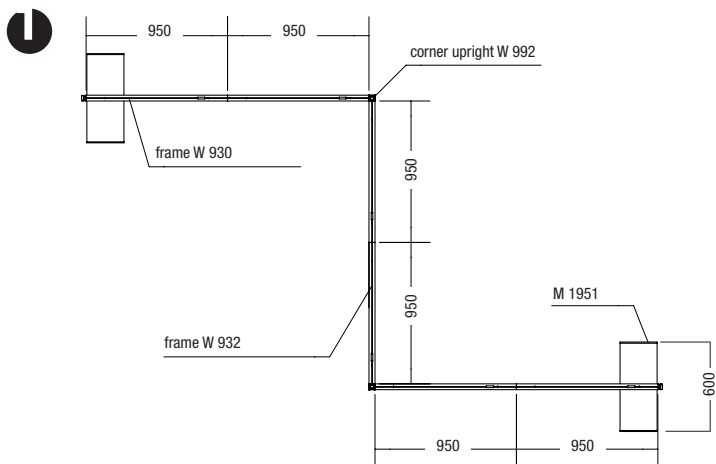
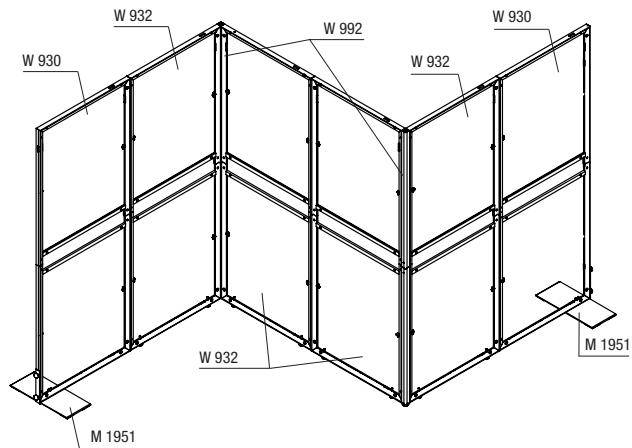
FREESTANDING WALL



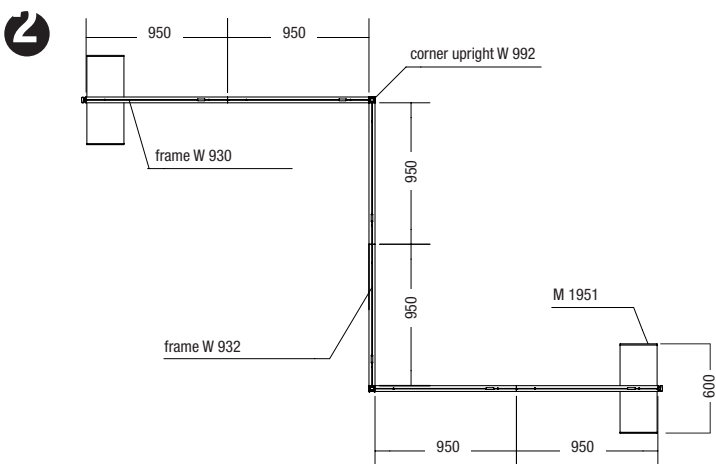
1 VERSION WITH ONE PIECE ELEMENTS



2 VERSION WITH SPLIT ELEMENTS



QUANTITY	ITEM N ⁰	DESCRIPTION
2	M 1951	base plate, 250 x 600 mm
2	W 936	frame, 950 x 2480 mm
4	W 934	frame, 950 x 2480 mm, with adjustable feet
2	W 990	corner upright, with adjustable foot

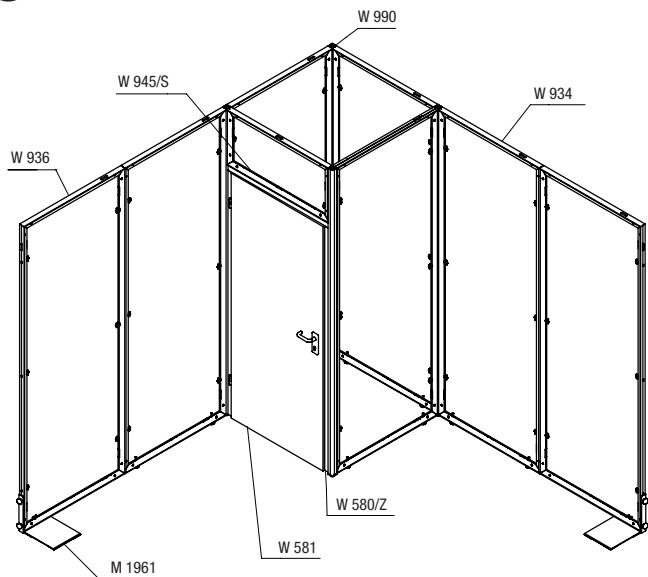


QUANTITY	ITEM N ⁰	DESCRIPTION
2	M 1951	base plate, 250 x 600 mm
2	W 930	split frame, 950 x 2480 mm
4	W 932	split frame, 950 x 2480 mm, with adjustable feet
2	W 992	split corner upright, with adjustable foot

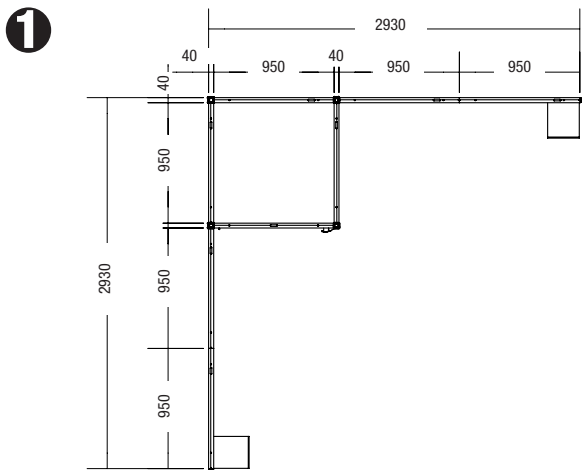
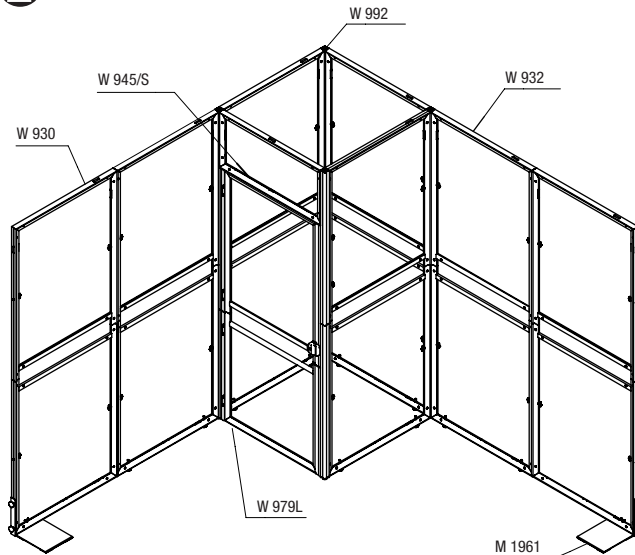
ZIG ZAG WALL

OCTANORM 

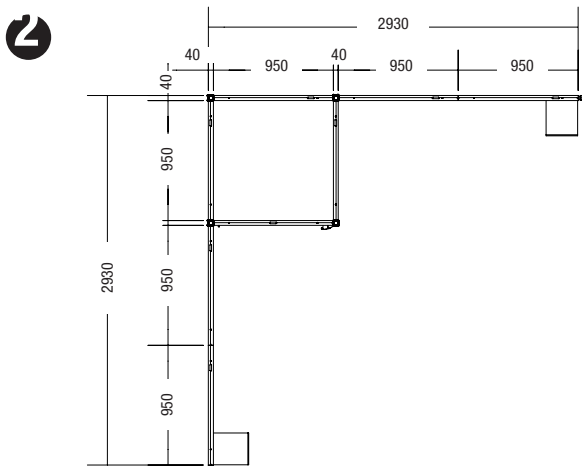
1 VERSION WITH ONE PIECE ELEMENTS



2 VERSION WITH SPLIT ELEMENTS

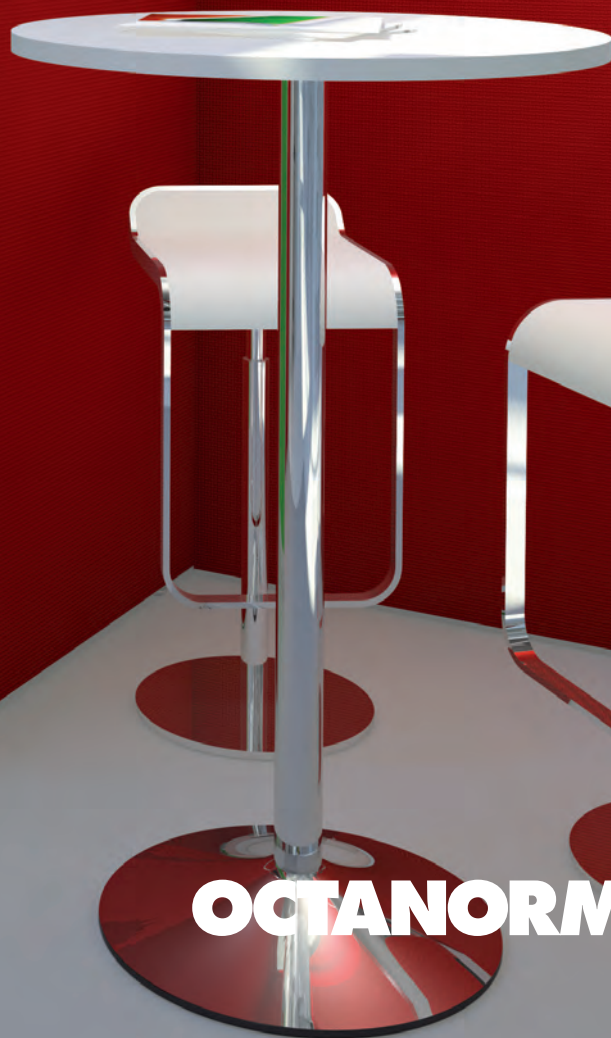


QUANTITY	ITEM N°	DESCRIPTION
5	W 934	frame, 950 x 2480 mm, with adjustable feet
2	W 936	frame, 950 x 2480 mm
1	W 945/S	frame above door 950 x 450 mm
1	W 580/Z	universal door frame
1	W 581	door leaf DIN left
2	M 1961	base plate 250 x 320 mm
4	W 990	corner upright, with adjustable foot



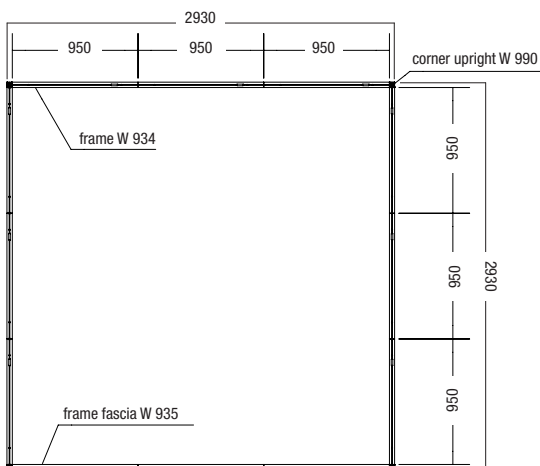
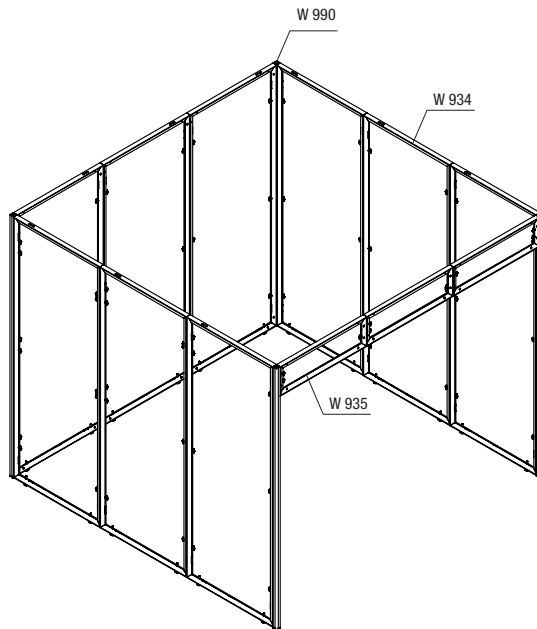
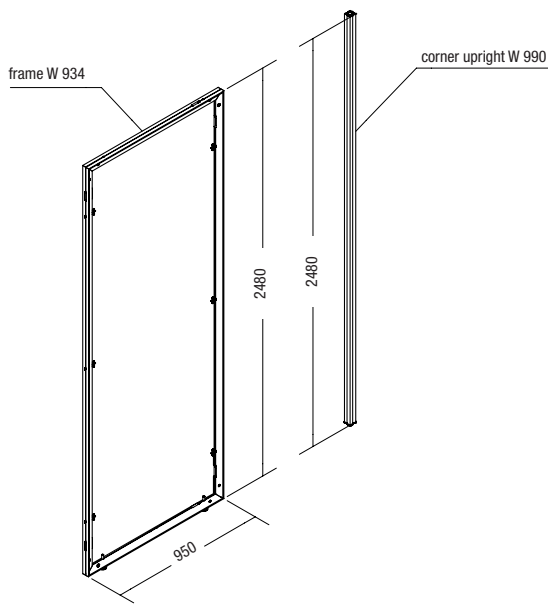
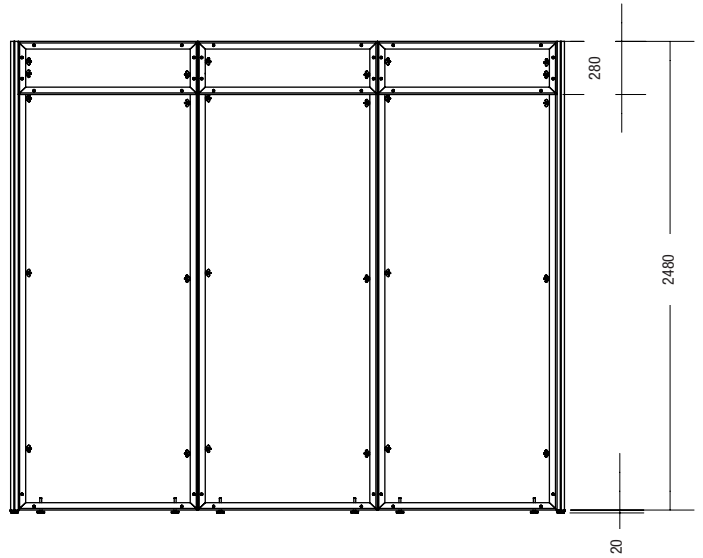
QUANTITY	ITEM N°	DESCRIPTION
5	W 932	split frame, 950 x 2480 mm, with adjustable feet
2	W 930	split frame, 950 x 2480 mm
1	W 945/S	frame above door, 950 x 450 mm
1	W 939	split door, for fabric infills
2	M 1961	base plate, 250 x 320 mm
4	W 992	split corner upright, with adjustable foot

**CORNER BOOTH
WITH CABIN**



OCTANORM 

1 VERSION WITH ONE PIECE ELEMENTS



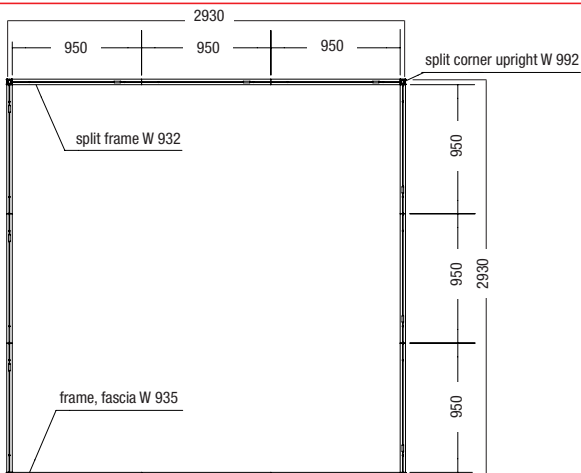
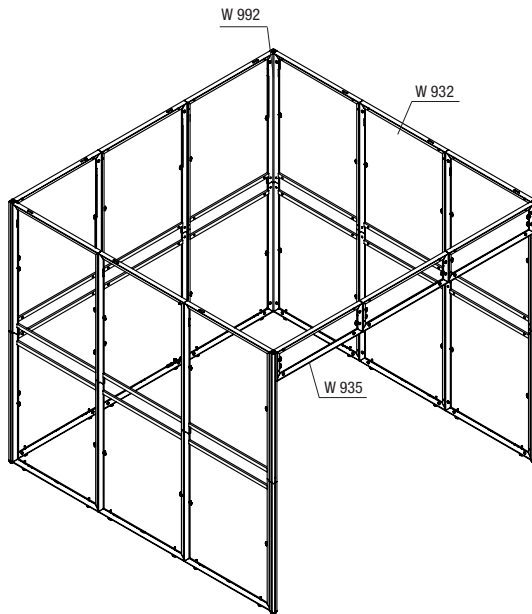
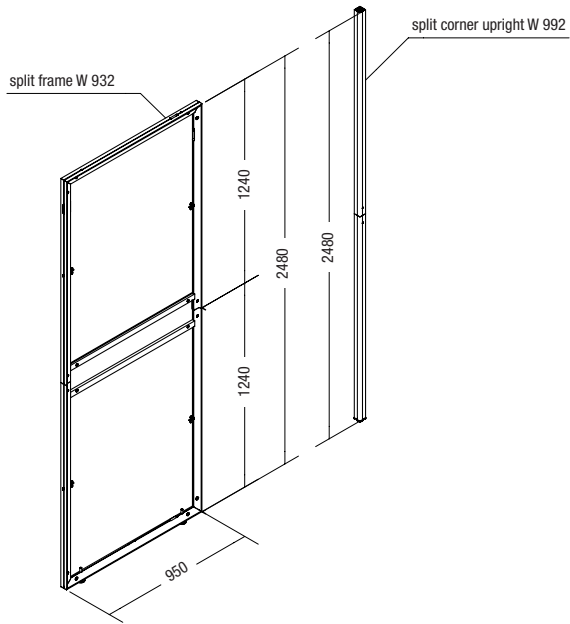
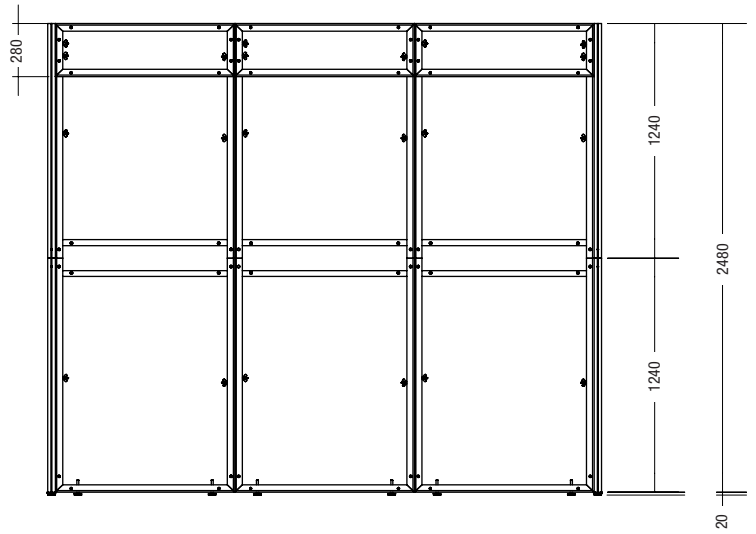
QUANTITY	ITEM N°	DESCRIPTION
9	W 934	frame 950 x 2480 mm, with adjustable feet
3	W 935	frame, 950 x 280 mm
4	W 990	corner upright, with adjustable foot

INLINE BOOTH 3 X 3 M



OCTANORM 

2 VERSION WITH SPLIT ELEMENTS



QUANTITY	ITEM N°	DESCRIPTION
9	W 932	split frame, 950 x 2480 mm, with adjustable feet
3	W 935	frame, 950 x 280 mm
4	W 992	split corner upright, with adjustable foot

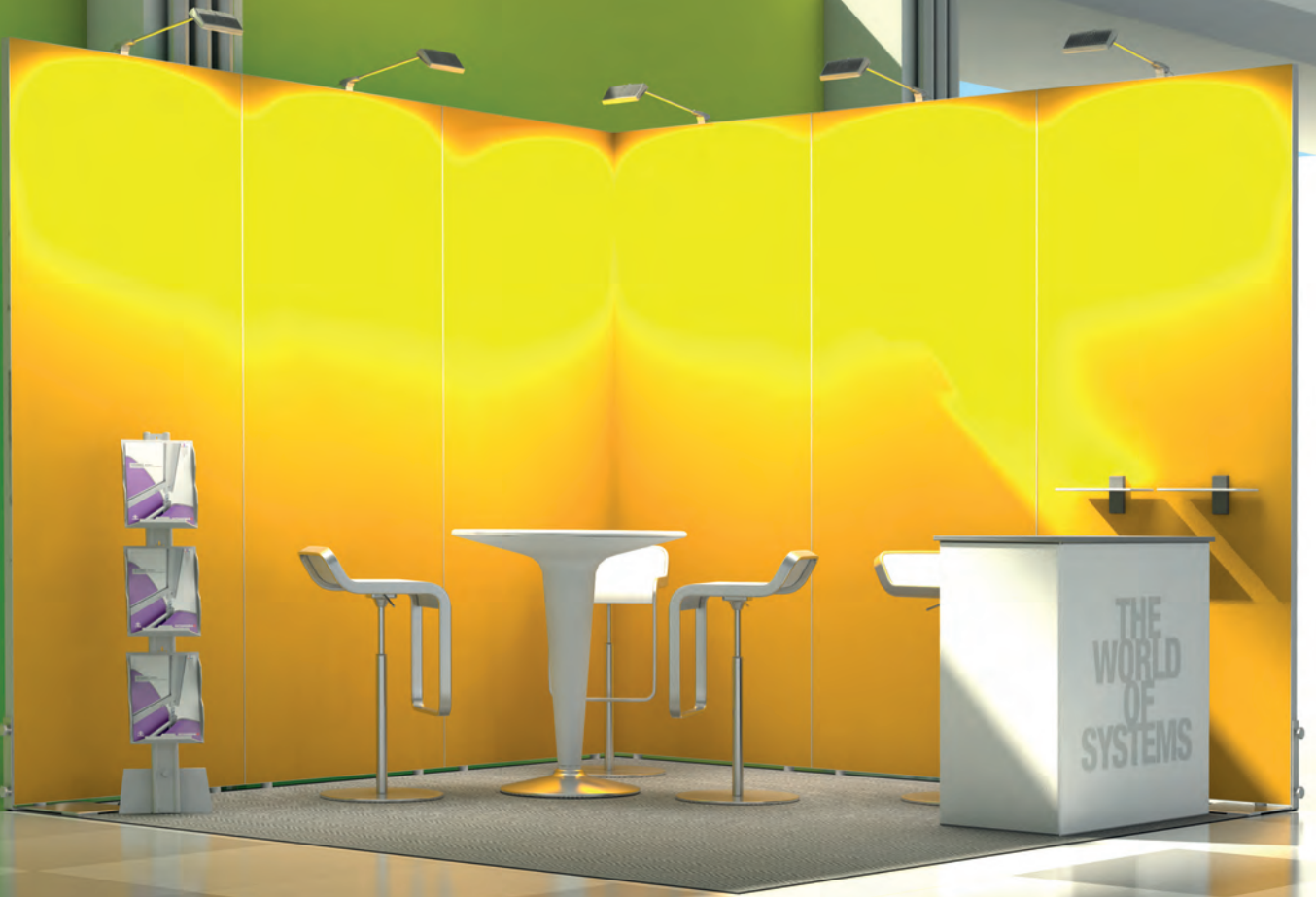
INLINE BOOTH 3 X 3 M



OCTANORM 

DESIGN EXAMPLES

corner booth 3 x 3



DESIGN EXAMPLES

corner booth with cabin 3 x 4



exhibition systems
interior design systems
presentation systems
cleanroom systems
software and service

www.octanorm.com



AW 7945.GB_OCTAwait mobil_09/2013

THE
WORLD
OF
SYSTEMS

OCTANORM 